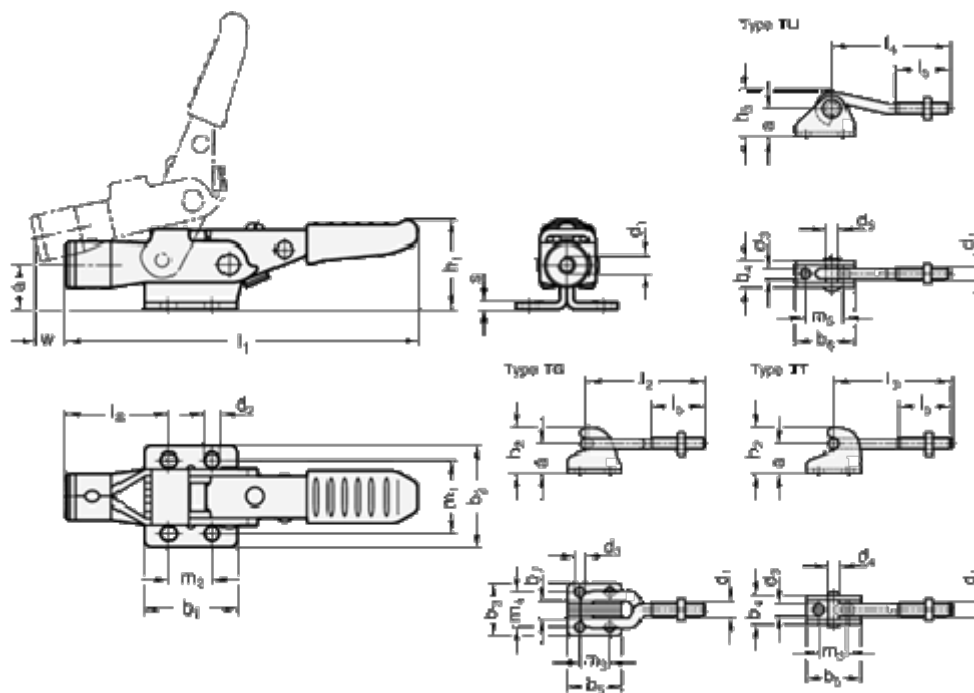


Article number: 20853700TU
 Description: E+G Latch clamp with locking mechanism
 GN 853-700-TU

Measures



$a = 28$	$d1 = M10$	Holding force N = 7500	$m2 = 41.5$
$b1 = 60$	$d2 = 6.5$	$l1 = 222$	$m3 = 31$
$b2 = 54$	$d3 = 8.5$	$l2 = 95.5$	$m4 = 25.4$
$b3 = 41$	$d4 = 9.0$	$l3 = 93.0$	$m5 = 31.0$
$b4 = 26$	$d5 = 10$	$l4 = 92.0$	$s = 3.5$
$b5 = 50$	$h1 = 53.0$	$l5 = 42$	Size = 700
$b6 = 50$	$h2 = 40.5$	$l6 = 51.0$	$w = 19$
$b7 = 11.0$	$h3 = 39.0$	$m1 = 38$	